

Vse dimenzije so v milimetrih./All dimensions are in millimetres.

MM Ø	A	B Ø	CH	H *	H	H1 max	D Ø	EE	KK	NA	WF	VE	Y ± 5	PJ ** ± 5	ZJ **	V **
25	17	50	12	37	15	21	20	G 1/4	M 12x1.25	14	25	10	65	0	85	25
32	19	60	15	37	15	21	20	G 1/4	M 14x1.5	17	25	10	70	0	90	25
40	16	60	22	42	16	21	26	G 3/8	M 16x1.5	25	40	25	88	0	110	30
50	16	75	22	42	16	21	26	G 3/8	M 16x1.5	25	45	30	91	0	113	35
63	23	85	30	42	16	21	26	G 3/8	M 22x1.5	34	46	30	112	0	134	35
70	35	95	36	42	16	21	26	G 3/8	M 35x1.5	40	47	30	112	0	134	35
80	35	105	36	42	16	21	26	G 3/8	M 35x1.5	40	49	30	112	0	134	40
100	45	140	46	48	18	21	30	G 1/2	M 45x1.5	50	52	35	137	0	163	40
125	58	165	60	57	21	21	38	G 3/4	M 58x1.5	65	55	35	155	0	182	40
140	65	190	65	57	21	21	38	G 3/4	M 65x1.5	70	55	35	165	0	206	60

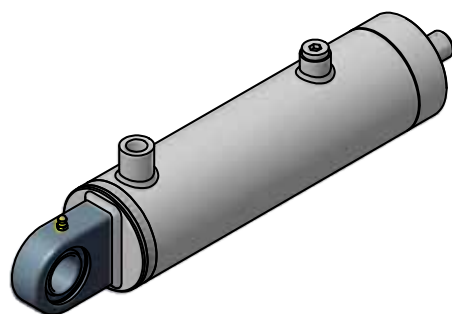
\* V priključek je možno namestiti blokirni ventil./Block valve can be mounted into the attachment.

\*\* Če je hod manjši od 50 mm, se vgradnji meri XO, ZJ in PJ podaljšata za hod - 50mm.

\*\* Pri hodu nad 500 mm se vgradni meri XO, ZJ in PJ podaljšata za dolžino V, zaradi dodatnega vodenja batnice.

\*\* In strokes shorter than 50 mm, mounting dimensions XO, ZJ and PJ shall lengthen by the length of the stroke - 50mm.

\*\* In strokes exceeding 500 mm, mounting dimensions XO, ZJ and PJ shall lengthen by the length V, due to additional piston rod guidance.



MM Ø	XO	L	CX Ø	EX	EP	MR
25	101	16	12	12	10	16
32	110	20	16	16	14	20
40	148	38	20	16	19	25
50	158	45	25	20	23	27.5
63	185	51	30	22	28	32.5
70	185	51	30	22	28	32.5
80	203	69	40	28	35	50
100	251	88	50	35	40	61.5
125	282	100	60	44	50	70
140	321	115	70	49	55	82