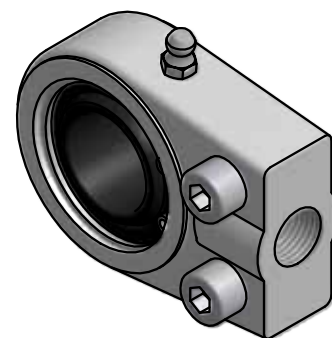
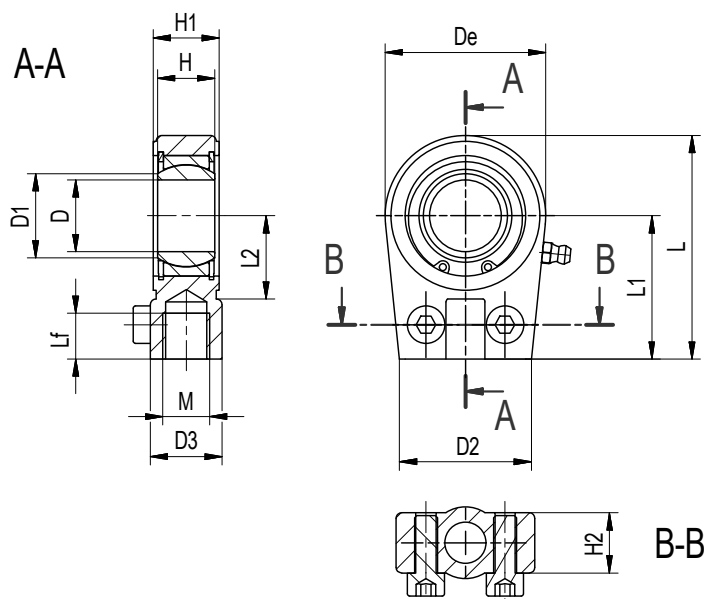
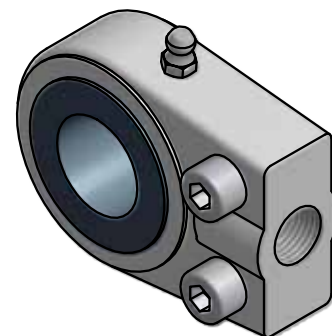
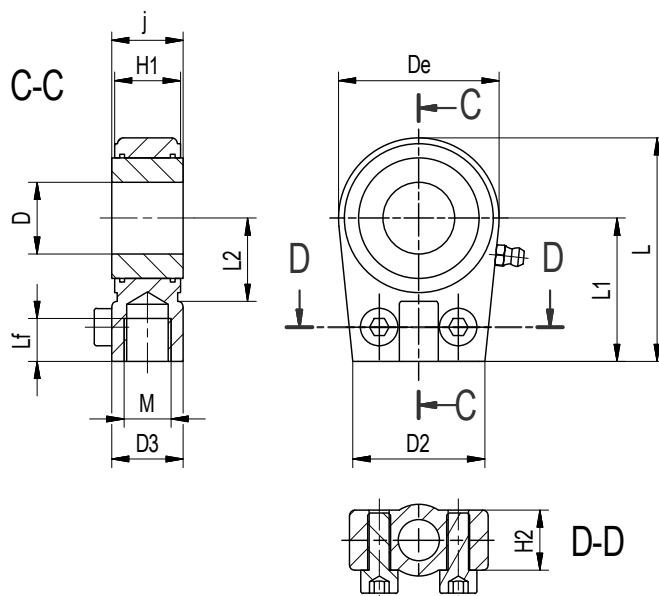


MS_U



MS_P



Vse dimenzije so v milimetrih./All dimensions are in millimetres.

Oznaka Types	Bat Piston Ø	M	D Ø	L	L2	Lf	L1	De	D2	D3	H1	H2	j	H	D1 Ø
MS 12U-LO MS 12P	25	M 12x1.25	12	54	14	17	38	32	32	16.5	10.6	15	12	12	15.5
MS 16U-LO MS 16P	32	M 14x1.5	16	64	20	19	44	40	40	21	13	15	16	16	20
MS 20U MS 20P	40	M 16x1.5	20	80	25	17	50	56	46	25	19	17	20	16	24.1
MS 25U MS 25P	50	M 16x1.5	25	80	28	17	50	56	46	25	23	21	25	20	29.3
MS 30U MS 30P	63/ 70	M 22x1.5	30	94	30	23	60	64	50	32	28	26	30	22	34.2
MS 40U MS 40P	80/ 90	M 35x1.5	40	135	45	36	85	94	76	49	35	33	40	28	45
MS 50U MS 50P	100/110	M 45x1.5	50	168	55	46	105	116	90	61	40	37	50	35	56
MS 60U MS 60P	125	M 58x1.5	60	200	65	59	130	130	120	75	50	46	60	44	66.8
MS 70U MS 70P	140	M 65x1.5	70	232	75	66	150	155	130	86	55	51	70	49	77.8
MS 80U MS 80P	160/180	M 80x2	80	265	80	81	170	177	160	102	60	55	80	55	89.4
MS 100U MS 100P	200	M110x2	100	360	105	111	235	230	200	138	70	65	100	70	109.5
MS 110U MS 110P	250	M120x3	110	407.5	115	125	265	265	220	152	80	75	110	70	121.2